

9800 OFS

Off-Highway 9800 Oil Field Series (OFS)

RATINGS

Straight-Thru Model		Gross Input Power kW (hp)	Gross Input Torque N•m (lb-ft)	Turbine Torque Net N•m (lb-ft)
9817 OFS	Oil Field Pumping	1305 (1750)	7118 (5250)	9491 (7000)
9823 OFS	Oil Field Pumping	1752 (2350)	8542 (6300)	10,235 (7550)
9826 OFS	Oil Field Pumping	1939 (2600)	10,507 (7750)	10,847 (8000)

ENGINE INTERFACE

Acceptable full-load engine governed speed	1800 – 2100 rpm
Minimum engine idle speed range (with transmission in Drive)	550 rpm

MOUNTING

Direct	SAE No. 0 automatic flywheel housing with flexplate drive. Cradle mount using engine flywheel housing mounting pads and transmission rear cover mounting pads with 0.625 279 mm (11 in) series bolts
Remote	Side pads on transmission rear cover plus front trunnion mount

TORQUE CONVERTER

Type Single stage, three element, polyphase

Model	Stall Torque Ratio	Kp-Factor* at Stall
TC-1060	1.86	33.6 (39.1)
TC-1070	1.78	26.2 (30.5)
TC-1078	1.84	24.6 (28.6)
TC-1080	1.61	22.2 (25.8)

* Kp-Factor defines torque converter capacity. Kp = the ratio of converter pump speed [rpm] divided by the square root of the pump torque [N•m (lb-ft)]

MECHANICAL RATIOS (Gear ratios do not include torque converter multiplication.)

Range

First	3.75 : 1
Second	2.69 : 1
Third	2.20 : 1
Fourth	1.77 : 1
Fifth	1.58 : 1
Sixth	1.27 : 1
Seventh	1.00 : 1
Eighth	0.72 : 1
Reverse	Not Available

Ratio Coverage

Forward	5.21
---------	------

CONTROL SYSTEM

Description

9817 OFS, 9823 OFS Manual Electric, Electronic
9826 OFS Electronic

OPTIONAL ENGINE-DRIVEN POWER TAKE-OFF PROVISION¹

Side mount

Location		5 o'clock position, as viewed from rear
PTO drive gear rating	Intermittent	59 tooth drive gear, 298 kW (400 hp)
	Continuous	59 tooth drive gear, 224 kW (300 hp)

Top Mount

Location		12 o'clock position, as viewed from rear
PTO drive gear rating	Intermittent	59 tooth drive gear, 298 kW (400 hp)
	Continuous	59 tooth drive gear, 224 kW (300 hp)

ELECTRONIC SPEEDOMETER PROVISION

Description	Magnetic speed sensor, 41 pulses per output shaft revolution	
Location	Output signal from transmission TCM	

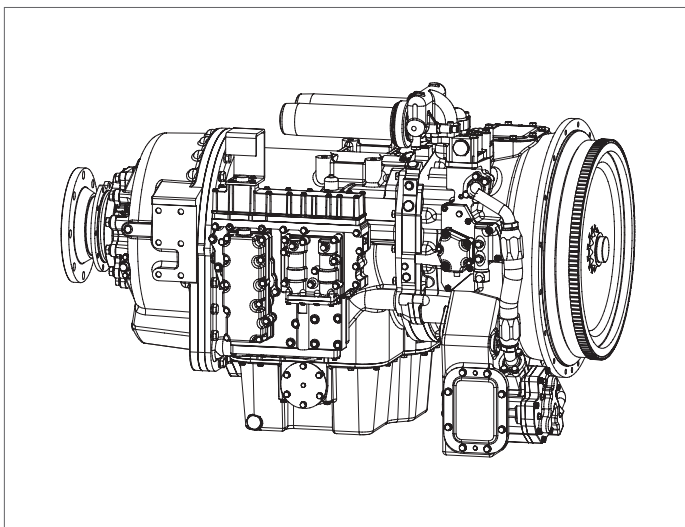
	9817 OFS/9823 OFS	9826 OFS
SIZE		
Depth (below horizontal centerline)	530 mm (20.9 in)	530 mm (20.9 in)
Length (direct mount) ^{2,3}	1435 mm (56.5 in)	1435 mm (56.5 in)
Width	896 mm (35.3 in)	896 mm (35.3 in)
HEIGHT		
Basic model	896 mm (35.3 in)	896 mm (35.3 in)
With direct mount filters	1011 mm (39.8 in)	1011 mm (39.8 in)
DRY WEIGHT	1719 kg (3790 lb)	1765 kg (3890 lb)

OIL SYSTEM

Oil type	TES 439 (see www.allisontransmission.com for approved list)	
Capacity excluding external circuits	79 litres (21.0 gallons)	
Main circuit oil filter		
Standard	Manifold for full-flow, remote mounted, replaceable element	
Optional	Direct-mount full-flow, replaceable elements (2)	

1. PTO ratings apply to both top and side. Combined totals cannot exceed individual ratings. 2. For remote mounting, add 279 mm (11 in).
 3. Length is approximate from engine/converter mounting surface to face of typical output flange.

9800 OFS



Information or specifications subject to change without notice or obligation.